

# Large Fragment



ORTHOPEDIC  
**CATALOGUE**

# GEOORTHO Large Fragment

## Screws

### 4.1 4.5mm Cortical Screws

Drill Bit : 3.2mm



### 4.2 4.5mm Cortical Screws, Self Tapping

Drill Bit : 3.2mm



Length (mm)	Stainless Steel	Titanium	Length (mm)	Stainless Steel	Titanium
12	4.1.SS01	4.1.TI01	12	4.2.SS01	4.2.TI01
14	4.1.SS2.	4.1.TI2.	14	4.2.SS2.	4.2.TI2.
16	4.1.SS03	4.1.TI03	14	4.2.SS03	4.2.TI03
18	4.1.SS04	4.1.TI04	18	4.2.SS04	4.2.TI04
20	4.1.SS05	4.1.TI05	18	4.2.SS05	4.2.TI05
22	4.1.SS06	4.1.TI06	22	4.2.SS06	4.2.TI06
24	4.1.SS07	4.1.TI07	22	4.2.SS07	4.2.TI07
26	4.1.SS08	4.1.TI08	26	4.2.SS08	4.2.TI08
28	4.1.SS09	4.1.TI09	26	4.2.SS09	4.2.TI09
30	4.1.SS10	4.1.TI10	30	4.2.SS10	4.2.TI10
32	4.1.SS11	4.1.TI11	30	4.2.SS11	4.2.TI11
34	4.1.SS12	4.1.TI12	34	4.2.SS12	4.2.TI12
36	4.1.SS13	4.1.TI13	34	4.2.SS13	4.2.TI13
38	4.1.SS14	4.1.TI14	38	4.2.SS14	4.2.TI14
40	4.1.SS15	4.1.TI15	38	4.2.SS15	4.2.TI15
42	4.1.SS16	4.1.TI16	42	4.2.SS16	4.2.TI16
44	4.1.SS17	4.1.TI17	42	4.2.SS17	4.2.TI17
46	4.1.SS18	4.1.TI18	46	4.2.SS18	4.2.TI18
48	4.1.SS19	4.1.TI19	46	4.2.SS19	4.2.TI19
50	4.1.SS20	4.1.TI20	50	4.2.SS20	4.2.TI20
52	4.1.SS21	4.1.TI21	50	4.2.SS21	4.2.TI21
54	4.1.SS22	4.1.TI22	54	4.2.SS22	4.2.TI22
56	4.1.SS23	4.1.TI23	54	4.2.SS23	4.2.TI23
58	4.1.SS24	4.1.TI24	58	4.2.SS24	4.2.TI24
60	4.1.SS25	4.1.TI25	58	4.2.SS25	4.2.TI25
62	4.1.SS26	4.1.TI26	62	4.2.SS26	4.2.TI26
64	4.1.SS27	4.1.TI27	62	4.2.SS27	4.2.TI27
66	4.1.SS28	4.1.TI28	66	4.2.SS28	4.2.TI28
68	4.1.SS29	4.1.TI29	66	4.2.SS29	4.2.TI29
70	4.1.SS30	4.1.TI30	70	4.2.SS30	4.2.TI30
72	4.1.SS31	4.1.TI31	70	4.2.SS31	4.2.TI31
74	4.1.SS32	4.1.TI32	74	4.2.SS32	4.2.TI32
76	4.1.SS33	4.1.TI33	74	4.2.SS33	4.2.TI33
78	4.1.SS34	4.1.TI34	78	4.2.SS34	4.2.TI34
80	4.1.SS35	4.1.TI35	78	4.2.SS35	4.2.TI35

# GEOORTHO Large Fragment

## Screws

### 4.3 4.5mm Malleolar Screws

Drill Bit : 3.2mm



Length (mm)	Stainless Steel	Titanium
25	4.3.SS01	4.3.TI01
30	4.3.SS2.	4.3.TI2.
35	4.3.SS03	4.3.TI03
40	4.3.SS04	4.3.TI04
45	4.3.SS05	4.3.TI05
50	4.3.SS06	4.3.TI06
55	4.3.SS07	4.3.TI07
60	4.3.SS08	4.3.TI08
65	4.3.SS09	4.3.TI09
70	4.3.SS10	4.3.TI10
75	4.3.SS11	4.3.TI11
80	4.3.SS12	4.3.TI12
85	4.3.SS13	4.3.TI13
90	4.3.SS14	4.3.TI14
95	4.3.SS15	4.3.TI15
100	4.3.SS16	4.3.TI16

### 4.5 Washers for 4.5mm to 7mm Screws



	Stainless Steel	Titanium
Code	4.5.SS01	4.5.TI01

### 4.6 6.5mm Cancellous Screws, 32mm Thread

Drill Bit : 3.2mm



Length (mm)	Stainless Steel	Titanium
40	4.6.SS01	4.6.TI01
45	4.6.SS2.	4.6.TI2.
50	4.6.SS03	4.6.TI03
55	4.6.SS04	4.6.TI04
60	4.6.SS05	4.6.TI05
65	4.6.SS06	4.6.TI06
70	4.6.SS07	4.6.TI07
75	4.6.SS08	4.6.TI08
80	4.6.SS09	4.6.TI09
85	4.6.SS10	4.6.TI10
90	4.6.SS11	4.6.TI11
95	4.6.SS12	4.6.TI12
100	4.6.SS13	4.6.TI13
105	4.6.SS14	4.6.TI14
110	4.6.SS15	4.6.TI15
115	4.6.SS16	4.6.TI16
120	4.6.SS17	4.6.TI17

### 4.4 6.5mm Cancellous Screws, 16mm Thread

Drill Bit : 3.2mm



Length (mm)	Stainless Steel	Titanium
25	4.4.SS01	4.4.TI01
30	4.4.SS2.	4.4.TI2.
35	4.4.SS03	4.4.TI03
40	4.4.SS04	4.4.TI04
45	4.4.SS05	4.4.TI05
50	4.4.SS06	4.4.TI06
55	4.4.SS07	4.4.TI07
60	4.4.SS08	4.4.TI08
65	4.4.SS09	4.4.TI09
70	4.4.SS10	4.4.TI10
75	4.4.SS11	4.4.TI11
80	4.4.SS12	4.4.TI12
85	4.4.SS13	4.4.TI13
90	4.4.SS14	4.4.TI14
95	4.4.SS15	4.4.TI15
100	4.4.SS16	4.4.TI16
105	4.4.SS17	4.4.TI17
110	4.4.SS18	4.4.TI18
115	4.4.SS19	4.4.TI19
120	4.4.SS20	4.4.TI20

### 4.7 6.5mm Cancellous Screws, Full Thread

Drill Bit : 3.2mm



Length (mm)	Stainless Steel	Titanium
25	4.7.SS01	4.7.TI01
30	4.7.SS2.	4.7.TI2.
35	4.7.SS2.	4.7.TI03
40	4.7.SS04	4.7.TI04
45	4.7.SS05	4.7.TI05
50	4.7.SS06	4.7.TI06
55	4.7.SS07	4.7.TI07
60	4.7.SS08	4.7.TI08
65	4.7.SS09	4.7.TI09
70	4.7.SS10	4.7.TI10
75	4.7.SS11	4.7.TI11
80	4.7.SS12	4.7.TI12
85	4.7.SS13	4.7.TI13
90	4.7.SS14	4.7.TI14
95	4.7.SS15	4.7.TI15
100	4.7.SS16	4.7.TI16
105	4.7.SS17	4.7.TI17
110	4.7.SS18	4.7.TI18
115	4.7.SS19	4.7.TI19
120	4.7.SS20	4.7.TI20

# GEOORTHO Large Fragment

## Plates

### 4.8 4.5mm Narrow Dynamic Compression Plate

Fixation with 4.5 & 6.5mm screws.  
All plates are designed as self compression holes.  
The end holes are designed for cancellous bone screws.



Holes	Stainless Steel	Titanium
4	4.8.SS01	4.8.TI01
5	4.8.SS2.	4.8.TI2.
6	4.8.SS03	4.8.TI03
7	4.8.SS04	4.8.TI04
8	4.8.SS05	4.8.TI05
9	4.8.SS06	4.8.TI06
10	4.8.SS07	4.8.TI07
11	4.8.SS08	4.8.TI08
12	4.8.SS09	4.8.TI09
13	4.8.SS10	4.8.TI10
14	4.8.SS11	4.8.TI11
15	4.8.SS12	4.8.TI12
16	4.8.SS13	4.8.TI13
17	4.8.SS14	4.8.TI14
18	4.8.SS15	4.8.TI15

### 4.10 4.5mm Broad Dynamic Compression Plate

Fixation with 4.5 & 6.5mm Screws.  
All Plates are designed as self compression holes.  
The end holes are suitable for cancellous bone screws.



Holes	Stainless Steel	Titanium
4	4.10.SS01	4.10.TI01
5	4.10.SS2.	4.10.TI2.
6	4.10.SS03	4.10.TI03
7	4.10.SS04	4.10.TI04
8	4.10.SS05	4.10.TI05
9	4.10.SS06	4.10.TI06
10	4.10.SS07	4.10.TI07
11	4.10.SS08	4.10.TI08
12	4.10.SS09	4.10.TI09
13	4.10.SS10	4.10.TI10
14	4.10.SS11	4.10.TI11
15	4.10.SS12	4.10.TI12
16	4.10.SS13	4.10.TI13
17	4.10.SS14	4.10.TI14
18	4.10.SS15	4.10.TI15
19	4.10.SS16	4.10.TI16
20	4.10.SS17	4.10.TI17

### 4.9 4.5mm Narrow Limited Contact Dynamic Compression Plate

Fixation with 4.5 & 6.5mm screws.  
The LC-DCP holes allow compression in both the direction of the longitudinal axis. The end holes are suitable for cancellous bone screws. Undercuts for vascular preservation



Holes	Stainless Steel	Titanium
4	4.9.SS01	4.9.TI01
5	4.9.SS2.	4.9.TI2.
6	4.9.SS03	4.9.TI03
7	4.9.SS04	4.9.TI04
8	4.9.SS05	4.9.TI05
9	4.9.SS06	4.9.TI06
10	4.9.SS07	4.9.TI07
11	4.9.SS08	4.9.TI08
12	4.9.SS09	4.9.TI09
13	4.9.SS10	4.9.TI10
14	4.9.SS11	4.9.TI11
15	4.9.SS12	4.9.TI12
16	4.9.SS13	4.9.TI13
17	4.9.SS14	4.9.TI14
18	4.9.SS15	4.9.TI15

### 4.11 4.5mm Broad Limited Contact Dynamic Compression Plate

Fixation with 4.5 & 6.5mm Screws.  
The LC-DCP holes allow compression in both the direction of the longitudinal axis. The end holes are suitable for cancellous bone screws. Undercuts for vascular preservation.



Holes	Stainless Steel	Titanium
4	4.11.SS01	4.11.TI01
5	4.11.SS2.	4.11.TI2.
6	4.11.SS03	4.11.TI03
7	4.11.SS04	4.11.TI04
8	4.11.SS05	4.11.TI05
9	4.11.SS06	4.11.TI06
10	4.11.SS07	4.11.TI07
11	4.11.SS08	4.11.TI08
12	4.11.SS09	4.11.TI09
13	4.11.SS10	4.11.TI10
14	4.11.SS11	4.11.TI11
15	4.11.SS12	4.11.TI12
16	4.11.SS13	4.11.TI13
17	4.11.SS14	4.11.TI14
18	4.11.SS15	4.11.TI15
19	4.11.SS16	4.11.TI16
20	4.11.SS17	4.11.TI17



# GEOORTHO Large Fragment

## Plates

### 4.12 4.5mm Narrow Lengthening Plate, 8 Holes



Lengthening (mm)	Length (mm)	Stainless Steel	Titanium
30	135	<b>4.012.SS01</b>	<b>4.012.TI01</b>
40	145	<b>4.012.SS2.</b>	<b>4.012.TI2.</b>
50	155	<b>4.012.SS03</b>	<b>4.012.TI03</b>
60	165	<b>4.012.SS04</b>	<b>4.012.TI04</b>
70	175	<b>4.012.SS05</b>	<b>4.012.TI05</b>
80	185	<b>4.012.SS06</b>	<b>4.012.TI06</b>

### 4.13 4.5mm Broad Lengthening Plate, 8 Holes



Lengthening (mm)	Length (mm)	Stainless Steel	Titanium
30	135	<b>4.13.SS01</b>	<b>4.13.TI01</b>
40	145	<b>4.13.SS2.</b>	<b>4.13.TI2.</b>
50	155	<b>4.13.SS03</b>	<b>4.13.TI03</b>
60	165	<b>4.13.SS04</b>	<b>4.13.TI04</b>

### 4.14 4.5mm Broad Lengthening Plate, 10 Holes



Lengthening (mm)	Length (mm)	Stainless Steel	Titanium
50	179	<b>4.014.SS01</b>	<b>4.014.TI01</b>
60	189	<b>4.014.SS2.</b>	<b>4.014.TI2.</b>
70	199	<b>4.014.SS03</b>	<b>4.014.TI03</b>
80	209	<b>4.014.SS04</b>	<b>4.014.TI04</b>
90	219	<b>4.014.SS05</b>	<b>4.014.TI05</b>
100	229	<b>4.014.SS06</b>	<b>4.014.TI06</b>
110	239	<b>4.014.SS07</b>	<b>4.014.TI07</b>
120	249	<b>4.014.SS08</b>	<b>4.014.TI08</b>

### 4.15 4.5mm Semi Tubular Plates



Holes	Stainless Steel	Titanium
4	<b>4.20.SS01</b>	<b>4.20.TI01</b>
5	<b>4.20.SS2.</b>	<b>4.20.TI2.</b>
6	<b>4.20.SS03</b>	<b>4.20.TI03</b>
7	<b>4.20.SS04</b>	<b>4.20.TI04</b>
8	<b>4.20.SS05</b>	<b>4.20.TI05</b>
9	<b>4.20.SS06</b>	<b>4.20.TI06</b>
10	<b>4.20.SS07</b>	<b>4.20.TI07</b>
11	<b>4.20.SS08</b>	<b>4.20.TI08</b>
12	<b>4.20.SS09</b>	<b>4.20.TI09</b>

### 4.16 4.5mm Lateral Tibial Head Buttress Plate for Left Leg

Fixation with 4.5 & 6.5mm Screws



Holes	Stainless Steel	Titanium
5	<b>4.16.SS01</b>	<b>4.16.TI01</b>
7	<b>4.16.SS2.</b>	<b>4.16.TI2.</b>
9	<b>4.16.SS03</b>	<b>4.16.TI03</b>
11	<b>4.16.SS04</b>	<b>4.16.TI04</b>
13	<b>4.16.SS05</b>	<b>4.16.TI05</b>

### 4.17 4.5mm Lateral Tibial Head Buttress Plate for Right Leg

Fixation with 4.5 & 6.5mm Screws



Holes	Stainless Steel	Titanium
5	<b>4.17.SS01</b>	<b>4.17.TI01</b>
7	<b>4.17.SS2.</b>	<b>4.17.TI2.</b>
9	<b>4.17.SS03</b>	<b>4.17.TI03</b>
11	<b>4.17.SS04</b>	<b>4.17.TI04</b>
13	<b>4.17.SS05</b>	<b>4.17.TI05</b>

# GEOORTHO Large Fragment

## Plates

**4.18 4.5mm Condylar Buttress Plate, Left**



Holes	Stainless Steel	Titanium
7	4.18.SS01	4.18.TI01
9	4.18.SS2.	4.18.TI2.
11	4.18.SS03	4.18.TI03
12	4.18.SS04	4.18.TI04
13	4.18.SS05	4.18.TI05
15	4.18.SS06	4.18.TI06

**4.19 4.5mm Condylar Buttress Plate, Right**



Holes	Stainless Steel	Titanium
7	4.19.SS01	4.19.TI01
9	4.19.SS2.	4.19.TI2.
11	4.19.SS03	4.19.TI03
12	4.19.SS04	4.19.TI04
13	4.19.SS05	4.19.TI05
15	4.19.SS06	4.19.TI06

**4.20 4.5mm T-Plate**



Holes	Stainless Steel	Titanium
3	4.20.SS01	4.20.TI01
4	4.20.SS2.	4.20.TI2.
5	4.20.SS03	4.20.TI03
6	4.20.SS04	4.20.TI04
7	4.20.SS05	4.20.TI05
8	4.20.SS06	4.20.TI06
9	4.20.SS07	4.20.TI07
10	4.20.SS08	4.20.TI08
11	4.20.SS09	4.20.TI09
12	4.20.SS10	4.20.TI10
13	4.20.SS11	4.20.TI11
14	4.20.SS12	4.20.TI12

**4.21 4.5mm T-Plate Buttress**



Holes	Stainless Steel	Titanium
4	4.21.SS01	4.21.TI01
5	4.21.SS2.	4.21.TI2.
6	4.21.SS03	4.21.TI03
7	4.21.SS04	4.21.TI04
8	4.21.SS05	4.21.TI05
9	4.21.SS06	4.21.TI06
10	4.21.SS07	4.21.TI07
11	4.21.SS08	4.21.TI08
12	4.21.SS09	4.21.TI09
13	4.21.SS10	4.21.TI10
14	4.21.SS11	4.21.TI11

**4.22 4.5mm L-Plate Buttress, Right Angled (for Left Leg)**



Holes	Stainless Steel	Titanium
3	4.22.SS01	4.22.TI01
4	4.22.SS2.	4.22.TI2.
5	4.22.SS03	4.22.TI03
6	4.22.SS04	4.22.TI04
7	4.22.SS05	4.22.TI05
8	4.22.SS06	4.22.TI06
9	4.22.SS07	4.22.TI07
10	4.22.SS08	4.22.TI08
11	4.22.SS09	4.22.TI09
12	4.22.SS10	4.22.TI10
13	4.22.SS11	4.22.TI11
14	4.22.SS12	4.22.TI12

**4.23 4.5 mm L-Plate Buttress, Left Angled (for Right Leg)**



Holes	Stainless Steel	Titanium
3	4.23.SS01	4.23.TI01
4	4.23.SS2.	4.23.TI2.
5	4.23.SS03	4.23.TI03
6	4.23.SS04	4.23.TI04
7	4.23.SS05	4.23.TI05
8	4.23.SS06	4.23.TI06
9	4.23.SS07	4.23.TI07
10	4.23.SS08	4.23.TI08
11	4.23.SS09	4.23.TI09
12	4.23.SS10	4.23.TI10
13	4.23.SS11	4.23.TI11
14	4.23.SS12	4.23.TI12

# GEOORTHO Large Fragment

## Plates

### 4.24 4.5mm Spoon Plate

Fixation with 4.5mm Cortical Screws  
Shaft with V-profile for the fixation on the frontal edge of the tibia.



Holes	Stainless Steel	Titanium
5	4.24.SS01	4.24.TI01
6	4.24.SS2.	4.24.TI2.

### 4.25 4.5mm Hook Plate

Fixation with 4.5 & 6.5mm Screws  
Shaft with DCP dynamic compression holes and slot for tension device. Used after a blade of an angled hip plate breaks off at the proximal femur.



Holes	Stainless Steel	Titanium
6	4.25.SS01	4.25.TI01

### 4.26 4.5mm Reconstruction Plate, Straight

Do not bend more than 15°



Holes	Stainless Steel	Titanium
3	4.26.SS01	4.26.TI01
4	4.26.SS2.	4.26.TI2.
5	4.26.SS03	4.26.TI03
6	4.26.SS04	4.26.TI04
7	4.26.SS05	4.26.TI05
8	4.26.SS06	4.26.TI06
9	4.26.SS07	4.26.TI07
10	4.26.SS08	4.26.TI08
11	4.26.SS09	4.26.TI09
12	4.26.SS10	4.26.TI10
13	4.26.SS11	4.26.TI11
14	4.26.SS12	4.26.TI12
15	4.26.SS13	4.26.TI13
16	4.26.SS14	4.26.TI14
17	4.26.SS15	4.26.TI15
18	4.26.SS16	4.26.TI16
20	4.26.SS17	4.26.TI17
22	4.26.SS18	4.26.TI18

### 4.27 Roy Camille Plate



Holes	Stainless Steel	Titanium
5	4.27.SS01	4.27.TI01
6	4.27.SS2.	4.27.TI2.
7	4.27.SS03	4.27.TI03
8	4.27.SS04	4.27.TI04
9	4.27.SS05	4.27.TI05
10	4.27.SS06	4.27.TI06
11	4.27.SS07	4.27.TI07
12	4.27.SS08	4.27.TI08
13	4.27.SS09	4.27.TI09
14	4.27.SS10	4.27.TI10

### 4.28 4.5mm Cobra Head Plate



Holes	Stainless Steel	Titanium
8	4.28.SS01	4.28.TI01
9	4.28.SS2.	4.28.TI2.
10	4.28.SS03	4.28.TI03
11	4.28.SS04	4.28.TI04
12	4.28.SS05	4.28.TI05
13	4.28.SS06	4.28.TI06
14	4.28.SS07	4.28.TI07

### 4.29 Sherman Plate



Holes	Stainless Steel	Titanium
3	4.29.SS01	4.29.TI01
4	4.29.SS2.	4.29.TI2.
5	4.29.SS03	4.29.TI03
6	4.29.SS04	4.29.TI04
7	4.29.SS05	4.29.TI05
8	4.29.SS06	4.29.TI06
9	4.29.SS07	4.29.TI07
10	4.29.SS08	4.29.TI08
11	4.29.SS09	4.29.TI09
12	4.29.SS10	4.29.TI10
13	4.29.SS11	4.29.TI11
14	4.29.SS12	4.29.TI12

# GEOORTHO Large Fragment

## Plates

**4.30 4.5mm Proximal Tibial Plate Lateral Side**



Holes	Type	Stainless Steel	Titanium
3	Right	4.30.SS01	4.30.TI01
4	Right	4.30.SS2.	4.30.TI2.
5	Right	4.30.SS03	4.30.TI03
3	Left	4.30.SS04	4.30.TI04
4	Left	4.30.SS05	4.30.TI05
5	Left	4.30.SS06	4.30.TI06

**4.31, 4.32 4.5mm Proximal Tibia Plate with Round Holes**



Holes	Left Direction		Right Direction	
	Stainless Steel	Titanium	Stainless Steel	Titanium
4	4.31.SS01L	4.31.TI01L	4.32.SS01R	4.32.TI01R
5	4.31.SS2.L	4.31.TI2.L	4.32.SS2.R	4.32.TI2.R
6	4.31.SS03L	4.31.TI03L	4.32.SS03R	4.32.TI03R
7	4.31.SS04L	4.31.TI04L	4.32.SS04R	4.32.TI04R
8	4.31.SS05L	4.31.TI05L	4.32.SS05R	4.32.TI05R
9	4.31.SS06L	4.31.TI06L	4.32.SS06R	4.32.TI06R
10	4.31.SS07L	4.31.TI07L	4.32.SS07R	4.32.TI07R

**4.33 4.5mm Proximal Tibial Plate Medial Side**



Holes	Type	Stainless Steel	Titanium
4	Right	4.33.SS01	4.33.TI01
5	Right	4.33.SS2.	4.33.TI2.
6	Right	4.33.SS03	4.33.TI03
7	Right	4.33.SS04	4.33.TI04
4	Left	4.33.SS05	4.33.TI05
5	Left	4.33.SS06	4.33.TI06
6	Left	4.33.SS07	4.33.TI07
7	Left	4.33.SS08	4.33.TI08

**4.34, 4.35 4.5mm Proximal Lateral Tibial Plate**



Holes	Left Direction		Right Direction	
	Stainless Steel	Titanium	Stainless Steel	Titanium
3	4.34.SS01L	4.34.TI01L	4.35.SS01R	4.35.TI01R
5	4.34.SS2.L	4.34.TI2.L	4.35.SS2.R	4.35.TI2.R
7	4.34.SS03L	4.34.TI03L	4.35.SS03R	4.35.TI03R
9	4.34.SS04L	4.34.TI04L	4.35.SS04R	4.35.TI04R
11	4.34.SS05L	4.34.TI05L	4.35.SS05R	4.35.TI05R
13	4.34.SS06L	4.34.TI06L	4.35.SS06R	4.35.TI06R

**4.36, 4.37 4.5mm Proximal Tibia Medial Plate**



Holes	Left Direction		Right Direction	
	Stainless Steel	Titanium	Stainless Steel	Titanium
3	4.36.SS01L	4.36.TI01L	4.37.SS01R	4.37.TI01R
5	4.36.SS2.L	4.36.TI2.L	4.37.SS2.R	4.37.TI2.R
7	4.36.SS03L	4.36.TI03L	4.37.SS03R	4.37.TI03R
9	4.36.SS04L	4.36.TI04L	4.37.SS04R	4.37.TI04R
11	4.36.SS05L	4.36.TI05L	4.37.SS05R	4.37.TI05R
13	4.36.SS06L	4.36.TI06L	4.37.SS06R	4.37.TI06R

**4.38, 4.39 4.5mm Proximal Femur Plate**



Holes	Left Direction		Right Direction	
	Stainless Steel	Titanium	Stainless Steel	Titanium
3	4.38.SS01L	4.38.TI01L	4.39.SS01R	4.39.TI01R
5	4.38.SS2.L	4.38.TI2.L	4.39.SS2.R	4.39.TI2.R
7	4.38.SS03L	4.38.TI03L	4.39.SS03R	4.39.TI03R
9	4.38.SS04L	4.38.TI04L	4.39.SS04R	4.39.TI04R
11	4.38.SS05L	4.38.TI05L	4.39.SS05R	4.39.TI05R
13	4.38.SS06L	4.38.TI06L	4.39.SS06R	4.39.TI06R

# GEOORTHO Large Fragment

## Plates

### 4.40, 4.41 4.5mm Distal Tibial Plate



Holes	Left Direction		Right Direction	
	Stainless Steel	Titanium	Stainless Steel	Titanium
3	4.40.SS01L	4.40.TI01L	4.41.SS01R	4.41.TI01R
5	4.40.SS2.L	4.40.TI2.L	4.41.SS2.R	4.41.TI2.R
7	4.40.SS03L	4.40.TI03L	4.41.SS03R	4.41.TI03R
9	4.40.SS04L	4.40.TI04L	4.41.SS04R	4.41.TI04R
11	4.40.SS05L	4.40.TI05L	4.41.SS05R	4.41.TI05R
13	4.40.SS06L	4.40.TI06L	4.41.SS06R	4.41.TI06R

### 4.42, 4.43 4.5mm Distal Tibial Lateral Plate



Holes	Left Direction		Right Direction	
	Stainless Steel	Titanium	Stainless Steel	Titanium
3	4.42.SS01L	4.42.TI01L	4.43.SS01R	4.43.TI01R
5	4.42.SS2.L	4.42.TI2.L	4.43.SS2.R	4.43.TI2.R
7	4.42.SS03L	4.42.TI03L	4.43.SS03R	4.43.TI03R
9	4.42.SS04L	4.42.TI04L	4.43.SS04R	4.43.TI04R
11	4.42.SS05L	4.42.TI05L	4.43.SS05R	4.43.TI05R
13	4.42.SS06L	4.42.TI06L	4.43.SS06R	4.43.TI06R

### 4.44 4.5mm Distal Lateral Tibia Plate with Round Holes



Holes	Type	Stainless Steel	Titanium
5	Left	4.44.SS01	4.44.TI01
5	Right	4.44.SS2.	4.44.TI2.
7	Left	4.44.SS03	4.44.TI03
7	Right	4.44.SS04	4.44.TI04
9	Left	4.44.SS05	4.44.TI05
9	Right	4.44.SS06	4.44.TI06
11	Left	4.44.SS07	4.44.TI07
11	Right	4.44.SS08	4.44.TI08
13	Left	4.44.SS09	4.44.TI09
13	Right	4.44.SS10	4.44.TI10

### 4.45, 4.46 4.5mm Distal Femur Plate



Holes	Left Direction		Right Direction	
	Stainless Steel	Titanium	Stainless Steel	Titanium
3	4.45.SS01L	4.45.TI01L	4.46.SS01R	4.46.TI01R
5	4.45.SS2.L	4.45.TI2.L	4.46.SS2.R	4.46.TI2.R
7	4.45.SS03L	4.45.TI03L	4.46.SS03R	4.46.TI03R
9	4.45.SS04L	4.45.TI04L	4.46.SS04R	4.46.TI04R
11	4.45.SS05L	4.45.TI05L	4.46.SS05R	4.46.TI05R
13	4.45.SS06L	4.45.TI06L	4.46.SS06R	4.46.TI06R

### 4.47 4.5mm Distal Humeral Plate



Holes	Type	Stainless Steel	Titanium
4	Right	4.47.SS01R	4.47.TI01R
5	Right	4.47.SS2.R	4.47.TI2.R
6	Right	4.47.SS03R	4.47.TI03R
9	Right	4.47.SS04R	4.47.TI04R
4	Left	4.47.SS05L	4.47.TI05L
5	Left	4.47.SS06L	4.47.TI06L
6	Left	4.47.SS07L	4.47.TI07L
9	Left	4.47.SS08L	4.47.TI08L

### 4.48 4.5mm Fibular Tibia Plate



Holes	Type	Stainless Steel	Titanium
7	Right	4.48.SS01R	4.48.TI01R
9	Right	4.48.SS2.R	4.48.TI2.R
11	Right	4.48.SS03R	4.48.TI03R
13	Right	4.48.SS04R	4.48.TI04R
7	Left	4.48.SS05L	4.48.TI05L
9	Left	4.48.SS06L	4.48.TI06L
11	Left	4.48.SS07L	4.48.TI07L
13	Left	4.48.SS08L	4.48.TI08L

# GEOORTHO Large Fragment

## Instruments

### 4.49 Drill Bit - Quick Coupling End



Codes	Dia (mm)	Length (mm)
4.49.01	3.2	145
4.49.2.	4.5	145

### 4.50 Insert Drill Sleeve 4.5/3.2



### 4.51 Tap



Codes	Dia (mm)
4.51.01	4.5mm Cortical Screws
4.51.2.	6.5mm Cancellous Screws

### 4.52 Double Drill Guide



Codes	Dia (mm)
4.52.01	4.5/3.2
4.52.2.	6.5/3.2

### 4.53 Drill Guide 4.5, for Neutral and Loaded Position



### 4.54 Counter Sink for 4.5/6.5mm Screws, Quick Coupling



### 4.55 Hexagonal Screw Driver Shaft - 3.5mm Tip, Quick Coupling



### 4.56 Hexagonal Screw Driver with Holding Sleeve - 3.5mm Tip



# GEOORTHO Large Fragment

## Instruments

**4.57 Depth Gauge, measuring up to 110mm**



**4.58 Bending Iron (Pair)**



**4.59 T-Handle Quick Coupling**



**4.60 Plate Bending Press**



**4.61 Sharp Hook**



**4.62 Basic Instrument Set**

Codes	Set Consisting of:	Units
4.49.01	Drill Bit Ø3.2mm x 145mm, Quick Coupling	2
4.49.2.	Drill Bit Ø4.5mm x 145mm, Quick Coupling	2
4.50	Insert Drill Sleeve 4.5/3.2	1
4.51.01	Tap for Ø4.5mm Cortical Screws, Quick Coupling	2
4.51.2.	Tap for Ø6.5mm Cancellous Screws, Quick Coupling	1
4.52.01	Double Drill Guide 4.5/3.2	1
4.52.2.	Double Drill Guide 6.5/3.2	1
4.53	Drill Guide 4.5, for Neutral and Loaded Position Counter	1
4.54	Sink for 4.5/6.5mm Screws, Quick Coupling Hexagonal	1
4.55	Screw Driver Shaft - 3.5mm Tip, Quick Coupling Hexagonal	1
4.56	Screw Driver with Holding Sleeve - 3.5mm Tip Depth	1
4.57	Gauge, measuring up to 110mm	1
4.58	Bending Iron (Pair)	1
4.59	T-Handle Quick Coupling	1
4.61	Sharp Hook	1
4.62.01	Aluminum Box For Basic Instrument Set	1



## 5.13 Suture Wire - Stainless Steel



Codes	Size (mm)
<b>5.013.SS01</b>	16 SWG (1.60mm)
<b>5.013.SS2.</b>	17 SWG (1.50mm)
<b>5.013.SS03</b>	18 SWG (1.25mm)
<b>5.013.SS04</b>	19 SWG (1.00mm)
<b>5.013.SS05</b>	20 SWG (0.90mm)
<b>5.013.SS06</b>	21 SWG (0.80mm)
<b>5.013.SS07</b>	22 SWG (0.70mm)
<b>5.013.SS08</b>	23 SWG (0.60mm)
<b>5.013.SS09</b>	24 SWG (0.55mm)
<b>5.013.SS10</b>	26 SWG (0.45mm)
<b>5.013.SS11</b>	28 SWG (0.35mm)
<b>5.013.SS12</b>	30 SWG (0.30mm)


## 5.14 Kirschner Wire with Trocar Tip both End



Diameter (mm)	Length				
	70 mm	100 mm	150 mm	225 mm	300 mm
0.8	<b>5.014.SS01</b>	<b>5.014.SS15</b>	<b>5.014.SS29</b>	<b>5.014.SS43</b>	<b>5.014.SS57</b>
0.9	<b>5.014.SS2.</b>	<b>5.014.SS16</b>	<b>5.014.SS30</b>	<b>5.014.SS44</b>	<b>5.014.SS58</b>
1.0	<b>5.014.SS03</b>	<b>5.014.SS17</b>	<b>5.014.SS31</b>	<b>5.014.SS45</b>	<b>5.014.SS59</b>
1.1	<b>5.014.SS04</b>	<b>5.014.SS18</b>	<b>5.014.SS32</b>	<b>5.014.SS46</b>	<b>5.014.SS60</b>
1.2	<b>5.014.SS05</b>	<b>5.014.SS19</b>	<b>5.014.SS33</b>	<b>5.014.SS47</b>	<b>5.014.SS61</b>
1.4	<b>5.014.SS06</b>	<b>5.014.SS20</b>	<b>5.014.SS34</b>	<b>5.014.SS48</b>	<b>5.014.SS62</b>
1.5	<b>5.014.SS07</b>	<b>5.014.SS21</b>	<b>5.014.SS35</b>	<b>5.014.SS49</b>	<b>5.014.SS63</b>
1.6	<b>5.014.SS08</b>	<b>5.014.SS22</b>	<b>5.014.SS36</b>	<b>5.014.SS50</b>	<b>5.014.SS64</b>
1.8	<b>5.014.SS09</b>	<b>5.014.SS23</b>	<b>5.014.SS37</b>	<b>5.014.SS51</b>	<b>5.014.SS65</b>
2.0	<b>5.014.SS10</b>	<b>5.014.SS24</b>	<b>5.014.SS38</b>	<b>5.014.SS52</b>	<b>5.014.SS66</b>
2.2	<b>5.014.SS11</b>	<b>5.014.SS25</b>	<b>5.014.SS39</b>	<b>5.014.SS53</b>	<b>5.014.SS67</b>
2.3	<b>5.014.SS12</b>	<b>5.014.SS26</b>	<b>5.014.SS40</b>	<b>5.014.SS54</b>	<b>5.014.SS68</b>
2.5	<b>5.014.SS13</b>	<b>5.014.SS27</b>	<b>5.014.SS41</b>	<b>5.014.SS55</b>	<b>5.014.SS69</b>
3.0	<b>5.014.SS14</b>	<b>5.014.SS28</b>	<b>5.014.SS42</b>	<b>5.014.SS56</b>	<b>5.014.SS70</b>


# GEOORTHO Pins, wires & Staples

## 5.15 Kirschner Wire Fully Threaded




Codes	Dia (mm)	Length (mm)
<b>5.20.SS01</b>	1.5	225
<b>5.20.SS2.</b>	2.0	225
<b>5.20.SS03</b>	2.5	225
<b>5.20.SS04</b>	1.5	150
<b>5.20.SS05</b>	2.0	150
<b>5.20.SS06</b>	2.5	150

## 5.16 Steinman Pins




Length (mm)	Diameters				
	3 mm	3.5 mm	4 mm	4.5 mm	5 mm
150	<b>5.16.SS01</b>	<b>5.16.SS05</b>	<b>5.16.SS09</b>	<b>5.16.SS13</b>	<b>5.16.SS17</b>
175	<b>5.16.SS2.</b>	<b>5.16.SS06</b>	<b>5.16.SS10</b>	<b>5.16.SS14</b>	<b>5.16.SS18</b>
200	<b>5.16.SS03</b>	<b>5.16.SS07</b>	<b>5.16.SS11</b>	<b>5.16.SS15</b>	<b>5.16.SS19</b>
225	<b>5.16.SS04</b>	<b>5.16.SS08</b>	<b>5.16.SS12</b>	<b>5.16.SS16</b>	<b>5.16.SS20</b>

## 5.17 Centrally Threaded Steinman Pins



Codes	Dia (mm)	Length (mm)
<b>5.17.SS01</b>	4.0	225
<b>5.17.SS2.</b>	4.5	225
<b>5.17.SS03</b>	5.0	225
<b>5.17.SS04</b>	6.0	225

## 5.18 Circlage Wire With Loop



Size (mm)	Length 280mm	Length 600mm
17 SWG (1.50mm)	<b>5.18.SS01</b>	<b>5.18.SS06</b>
18 SWG (1.25mm)	<b>5.18.SS2.</b>	<b>5.18.SS07</b>
19 SWG (1.00mm)	<b>5.18.SS03</b>	<b>5.18.SS08</b>
20 SWG (0.90mm)	<b>5.18.SS04</b>	<b>5.18.SS09</b>
21 SWG (0.80mm)	<b>5.18.SS05</b>	<b>5.18.SS10</b>

# GEOORTHO Pins, wires & Staples

## 5.19 Austin Moore Pins, 3.0mm Dia with 2 Nuts



Codes	Length (mm)
5.19.SS01	50
5.19.SS2.	55
5.19.SS03	60
5.19.SS04	65
5.19.SS05	70
5.19.SS06	75
5.19.SS07	80
5.19.SS08	85
5.19.SS09	90
5.19.SS10	95
5.19.SS11	100
5.19.SS12	105
5.19.SS13	110
5.19.SS14	115
5.19.SS15	120
5.19.SS16	125
5.19.SS17	130
5.19.SS18	135
5.19.SS19	140
5.19.SS20	145
5.19.SS21	150

## 5.20 Knowles Pin



Codes	Dia (mm)	Length (mm)
5.20.SS01	3	65
5.20.SS2.	3	70
5.20.SS03	3	75
5.20.SS04	3	80
5.20.SS05	3	85
5.20.SS06	3	90
5.20.SS07	3	95
5.20.SS08	3	100
5.20.SS09	4	65
5.20.SS10	4	70
5.20.SS11	4	75
5.20.SS12	4	80
5.20.SS13	4	85
5.20.SS14	4	90
5.20.SS15	4	95
5.20.SS16	4	100

## 5.21 Drummer Wire



5.21.SS01	18 SWG (1.25mm)
5.21.SS2.	19 SWG (1.00mm)
5.21.SS03	20 SWG (0.90mm)

## 5.22 Wire Implant Set

Code	Set Consisting of:	Units
5.014.SS46	K.Wire Dia 1.0mm, Length 225mm	15
5.014.SS49	K.Wire Dia 1.5mm, Length 225mm	15
5.014.SS52	K.Wire Dia 2.0mm, Length 225mm	15
5.014.SS55	K.Wire Dia 2.5mm, Length 225mm	15
5.014.SS56	K.Wire Dia 3.0mm, Length 225mm	15
5.013.SS03	S.S. Wire : 18 SWG ( 2 each )	2
5.013.SS05	S.S. Wire : 20 SWG ( 2 each )	2
5.013.SS07	S.S. Wire : 22 SWG ( 2 each )	2
5.16.SS08	Steinmann Pin Dia 3.5, Length 225mm (5 each)	5
5.16.SS12	Steinmann Pin Dia 4.0, Length 225mm (5 each)	5
5.16.SS16	Steinmann Pin Dia 4.5, Length 225mm (5 each)	5
5.22.01	Aluminum Box for Wire Implant Set	1

# GEOORTHO Pins, wires & Staples

## Instruments

5.23 Wire Tightener & Twister



5.24 Wire Tightner cum Twister & Cutter



5.25 K. Wire Introducer



5.26 K. Wire Bender



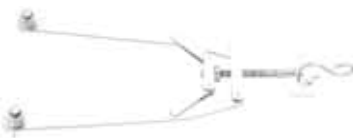
5.27 Triple Drill guide 2.0mm



5.28 Bone Awl



5.29 K. Wire Tractor



Codes	Size
5.29.01	Small
5.29.2.	Medium
5.29.03	Large

5.30 Wire Passer



Codes	Size
5.30.01	Small
5.30.2.	Medium
5.30.03	Large

## GEOORTHO Pins, wires & Staples

### 5.31 Plier cum Wire Bender & Wire Cutter



Codes	Size (inch)
5.31.01	9
5.31.2.	11

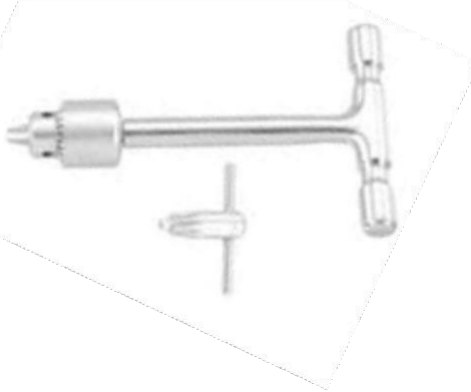
### 5.32 Circlage Wire Tightner



### 5.34 Spares Chuck & Key



### 5.333 T- Handle with Chuck & Key



### 5.36 Steinmann Pin Holder



### 5.35 Steinmann Pin Cutter / Plate Cutter (Capacity 5mm)



Codes	Size
5.36.01	Small
5.36.2.	Medium
5.36.03	Large

### 5.37 Wire Instrument Set

Codes	Set Consisting of:	Units
5.23	Wire Tightener Cum Twister	1
5.31.01	Plier cum Wire Bender cum Wire Cutter 9"	1
5.26	K.Wire Bender	1
5.30.2.	Wire Passer - Medium	2
5.25	K.Wire Introducer	1
5.33	T- Handle with Chuck (Steinmann Pin Introducer)	1
5.28	Bone Awl with Eye	1
5.37.01	Aluminum Box for Wire Instrument Set	1